

Gorillo Hand Dryer

User Manual



“Air Injection” Hand Drying



The brand new Gorillo is not only good looking but also highly economical in terms of its use of energy, running costs and durability.

The two high-speed airstreams force water from your hands to give you a convenient and hygienic drying service without the need to touch any surfaces.

This unit is suitable for most public places including restaurants, office buildings, factories, supermarkets, hospitals and places of recreation.

Simple to use:

- Shake off excess water at sink
- Insert both hands face down, fingers apart.
- After a few seconds, slowly remove hands and repeat process until dry.



Do not open the front panel once installed.



Do not allow the unit to get excessively wet.



Do not modify and disassemble the unit unnecessarily.



Do not allow children to hang from the unit.



Use a single-phase AC 220v - 240v/50Hz power supply.

Use a separate electrical spur.

Turn off the power switch before inspecting and cleaning the unit.

Ensure the unit is properly grounded / earthed.

Installation work should be carried out by a qualified electrician.

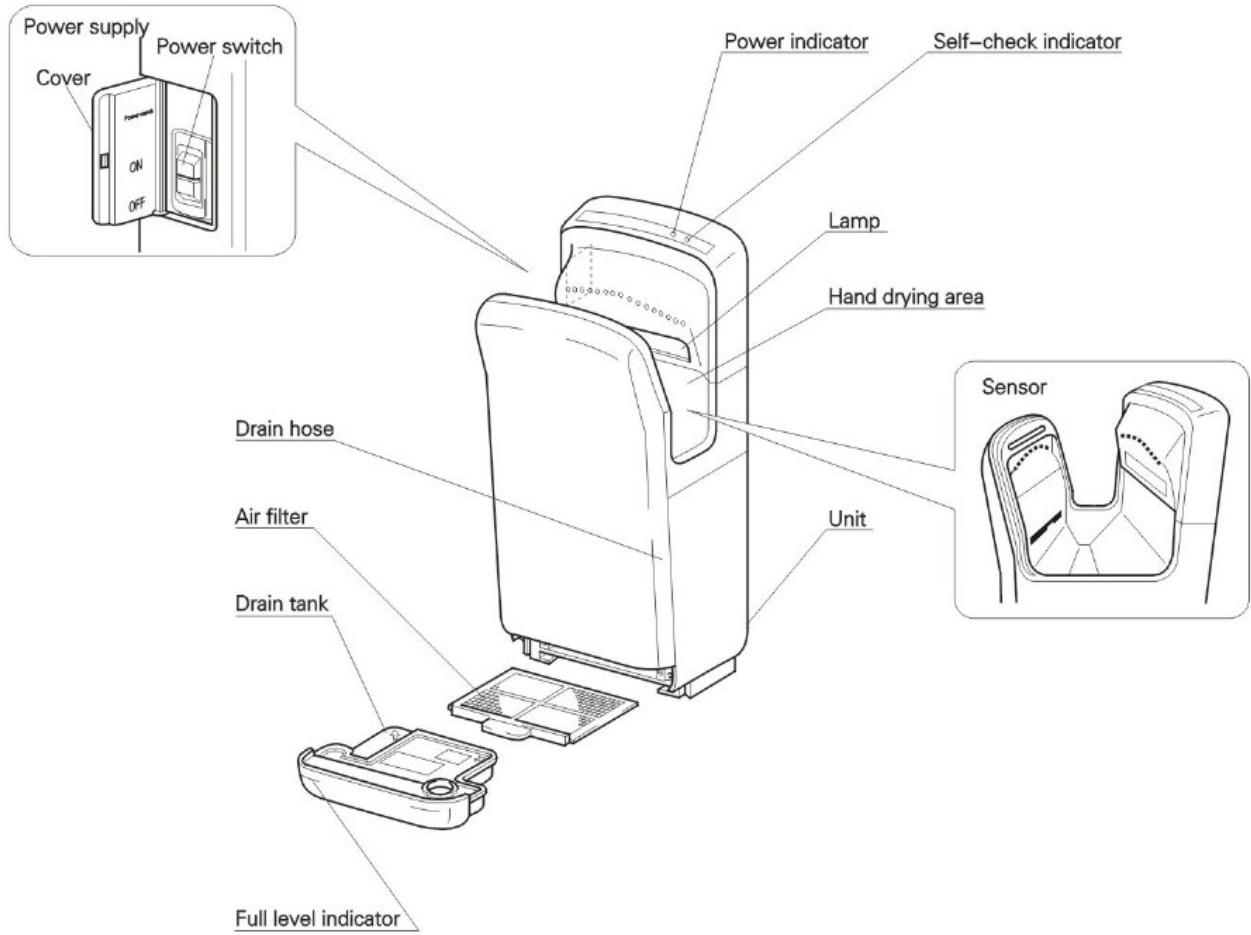
Be sure to install a residual current circuit break (RCD)

Always use the unit with the drain tank and air filter attached.

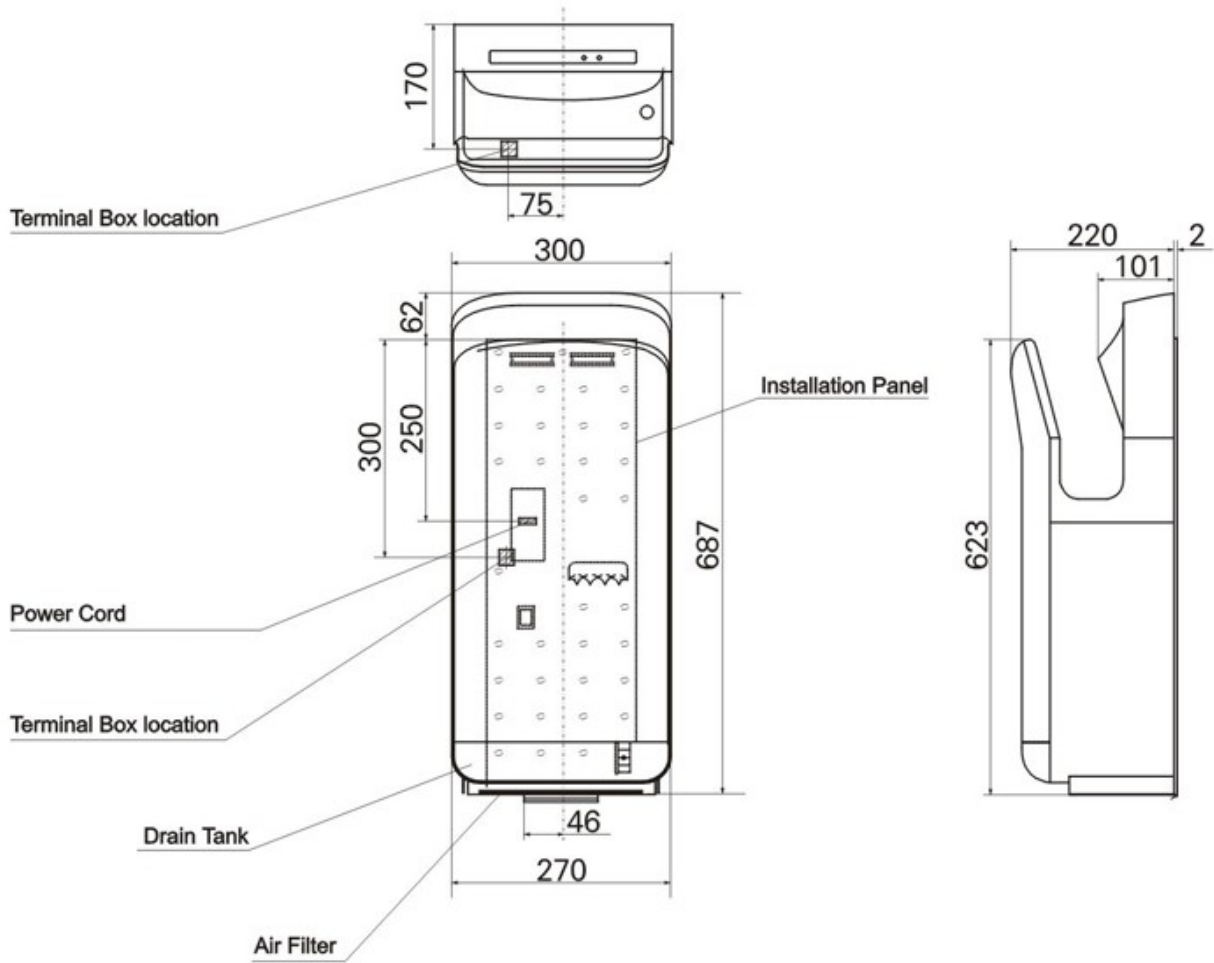
Do not use in the following places:

- Where the ambient temperature is below -10°C or above 40°C.
- Where the unit may come into direct contact with water.
- Where the unit is under direct or strong sunlight.
- Where condensation may form within the unit.

Part Names



Part Names & Dimensions



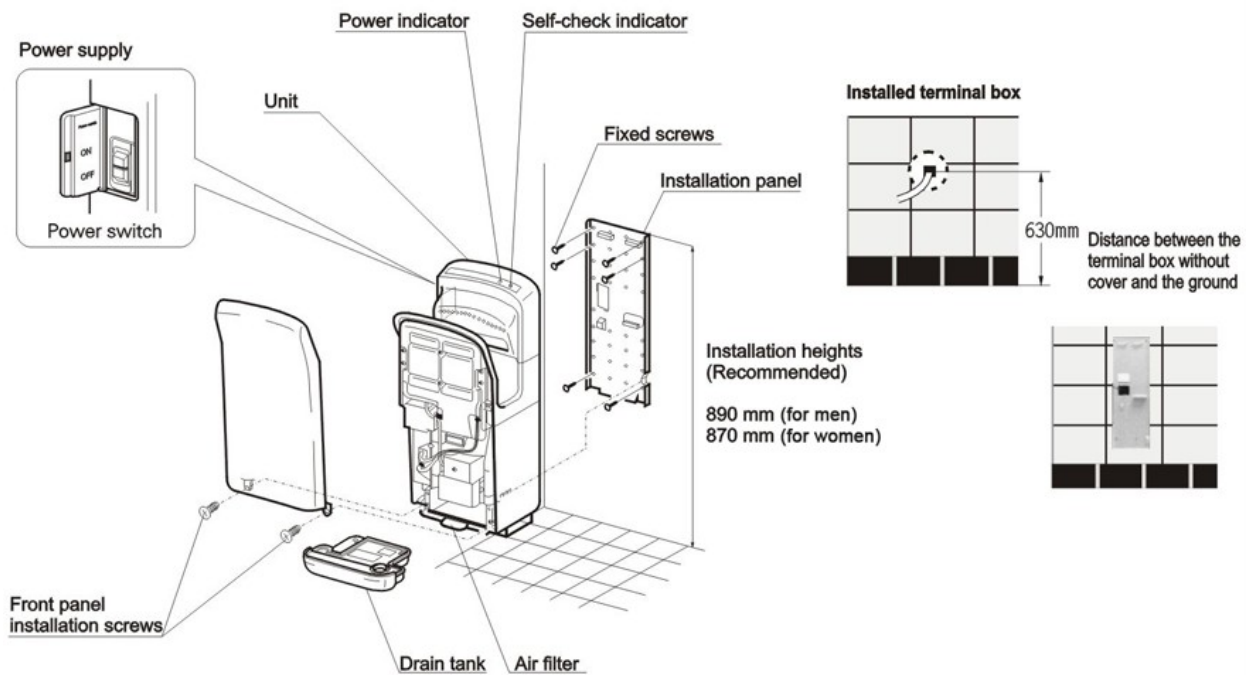
Accessories

- Installation Panel fixed screw 6
(4×25 tapping screw)
- Installation Panel 1

Precautions before installing

■ Do not install in the following types of location, otherwise this may cause malfunction:

- Locations where the temperature can exceed -10 °C or 40 °C.
- Locations where the unit may come into direct contact with water.
- Locations where the unit is under direct or strong sunlight
- Locations where there is a lot of condensation.
- Locations where corrosive, neutral, or reductive gases are present.
- Places lower than -20m or higher than 2000m above sea level



Installation Procedures

■ Use a single-phase alternating current 220V-240V power supply. (not to be used with a power supply exceeding 220V+10%.)

■ Use a power cord which is between 2mm² and 2.5mm² thick. (Cords other than 2mm² - 2.5mm² single-core cords cannot be used.)

(A drop in voltage is possible if the power cord exceeds 11 m in length, so we recommend using a 2.5mm² cord.)

1

Wire the unit.

- Ideally embed the spur in the installation location and wire the power cord
- If no spur is used, the power cord may be distended and prevent the unit from being installed firmly against the wall.

2

Attach the installation panel to the wall using the 6 installation screws.

- If the wall is masonry use commercially available metal screw plugs (curl plugs, etc.).
- If the wall is not masonry reinforce it before installation.

3

1.Remove the drain tank. 2.Remove the front panel.

(1)Remove the two screws.
(2)Remove all the front panel chuckholes (3).

4

- The installation screws for the unit will not tighten completely if the hooks at the bottom of the installation panel are not in place. Ensure the lower hooks are completely hooked onto the rear of the unit.

5

1.Attach the front panel.

(1) Insert the 3 front Panel chuckholes into the unit.
(2) Replace the 2 screws that were removed.

2.Attach the drain tank.

3.Make sure the air filter is all the way in.

Routine Cleaning

Cleaning the Unit body Before it gets obviously dirty

- Clean unit with a soft cloth.
If unit gets very dirty, clean with a soft cloth dampened with neutral agent, then clean with a dry soft cloth.
- Remove the dirt from the sensor. (This will prevent malfunctions)



Note

- Only use neutral cleaning products.
- Do not use thinners, acidic or alkaline toilet cleaners, or nylon brush.
- If chemical cloths used, please read their instructions first.
- Disinfectants or alcohol based cleaning agents may damage your Gorillo hand dryer.



WARNING

- Before you clean the unit, turn off the power switch.

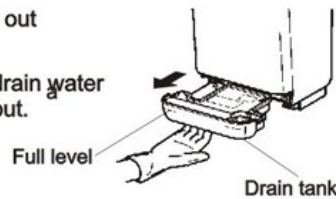
Draining and Cleaning the drain tank Before it fills up (at least once a week)

- Empty the drained water in order to prevent accumulated water from exceeding the full level.
- Drained water left for any period of time will become stagnant and foul smelling.

1

Pull the drain tank out towards you.

This ensures the drain water does not splatter out.



2

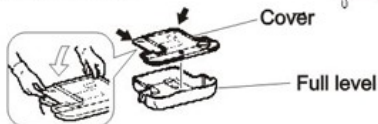
1. Open the cover and empty the water.

- Pull the cover up with your fingers in the direction of the arrow on top of the cover, and then remove the cover completely.

2. Wash out the inside of the drain tank.

3. Close the water tank cover, and Re-attach it to the unit as before.

- Ensure the two locators are firmly inserted.



3

Clean drain hole with fresh water using the brush provided.

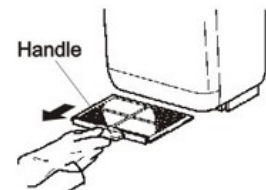


Cleaning the air filter Around once a week

Remove the air filter

- Pull the air filter out by the handle.

1



2

1. Cleaning the air filter

- Tap lightly using your hand or use a vacuum cleaner.
- If it is very dirty, wash it off with warm water.

2. Re-attach to the unit.

- insert it all the way in, until it stops. (If it is not in place, the dirt or dust will enter the unit and shorten its service life.)



Note

- If you wash the air filter with water, dry it as much as possible before re-use.

Troubleshooting

If the following problems occur, please perform checks and fix.

Problem	Check	Action
No air blows even if hands are inserted	Do the display indicators light up?	Turn the circuit breaker on.
	Is the power switch on?	Turn the power switch on.
	Are you putting your hands in all the way?	Put hands all the way in.
The unit does not stop blowing	Is the sensor blocked by dirt or dust?	Turn the power switch off, and then, after all the lamps in the display have gone off, clean the sensor.
Indicator light is flashing	If the power supply problems occur, the indicator lights up and is flashing.	Turn the power switch off. Check all the indicators in the display area have gone off (around 40 seconds), then turn on the power switch again.

Specification

Injection Speed	Voltage / Frequency	Current	Power	Size
85-95M/S	220V – 240V / 50Hz	7.5A	1.65kW	330X220X687 (mm)