

handydryers

Dillo Hand Dryer

Users Manual

*Please read instructions carefully before installation and retain instructions for future reference.

*The Dillo Hand Dryer is manufactured from sturdy aluminium with a sleek design to complement any environment.

Handy Dryers
12 Church Street
Bishops Stortford
Hertfordshire
CM23 2LY

W: www.handy-dryers.co.uk

T: 01279 466500

Feature

Control:

The Dillo will automatically switch off after 50 seconds

Speedy drying:

The Dillo has a recommended drying time of between 8-12 seconds

Heat Switch:

Choose between hot and cold air at the flick of a switch

Ion generator:

The ion generator provides fresh and clean air during use

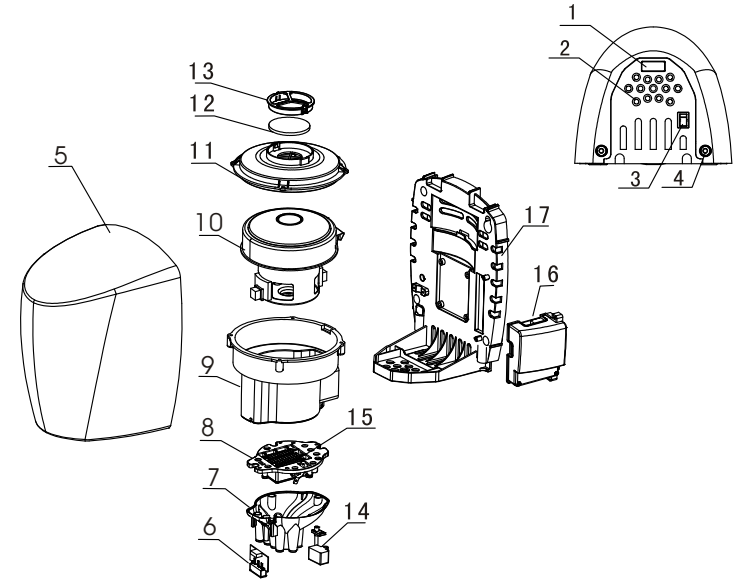
Perfume holder:

When included

Specification

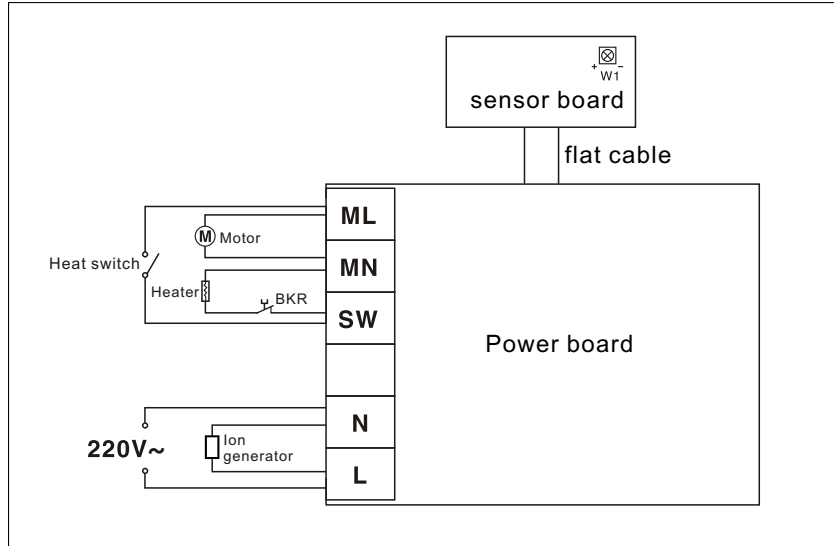
Power supply	220V~50Hz
Sensing distance	12±3cm
Warm air temp.	40°C±10°C
Air speed	30m/s
Motor speed	25000r.p.m
Motor power	550W
Heating power	700W
Overall unit power	1250W
Overall dimension	210mmX182mmX270mm(LxWxH)
Finish	*chrome *paint

Break down



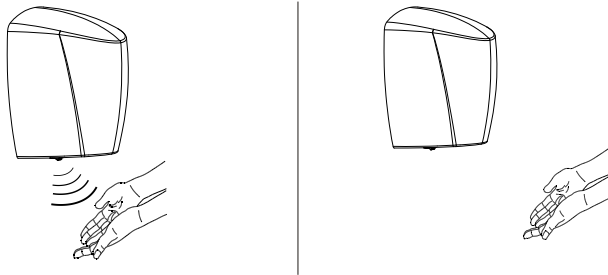
1	Lens	7	Cover for air tunnel	13	Filter cover
2	Air outlet	8	Heat device	14	Ion generator
3	Heat switch	9	Cover of bottom motor	15	Heating wire
4	Inner hexagon screw	10	Motor	16	Control box
5	Shell	11	Cover of upper motor	17	Seat
6	Sensor	12	Filter pad		

Wire drawing



Usage instruction

Place hands under dryer. The unit will start automatically and shut off after 50 seconds. This can be re-activated immediately if required.

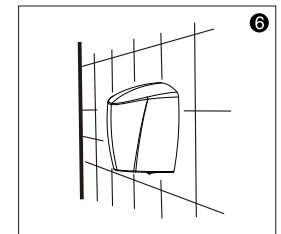
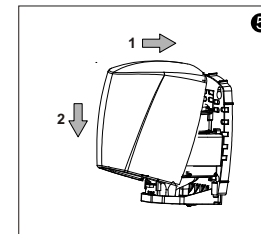
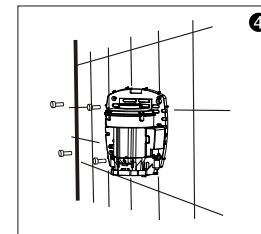
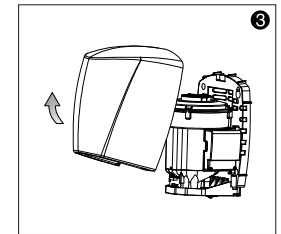
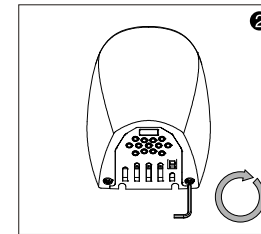
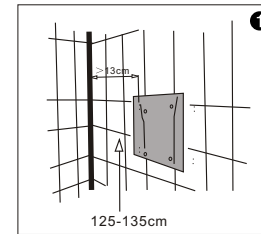


Installation instructions

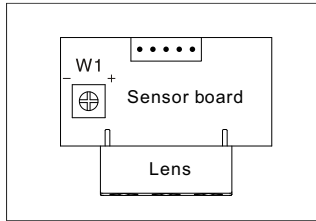
Please note:

There must be a minimum of 1.1 meters allowance from the floor to the base of the hand dryer.

1. Use template to mark the required position on the wall. Do not mount the Dillo over a shiny surface as it will activate the sensor.
2. Do not place anything in the area where the sensor is located.
3. Drill 4 holes as per the template. Place the raw plugs in the holes.
4. Loosen the screws from the Dillo and remove the cover.
5. Position the unit upon the template and secure with the 4 screws.
6. Replace the cover and secure.

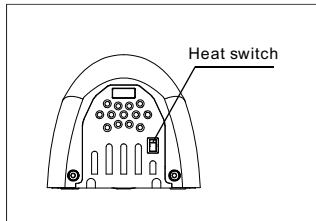


Adjustment of sensor distance



Remove the cover and adjust the small dial on the sensor board to provide you with the desired sensitivity. Turn clockwise to increase the distance and counter clockwise to reduce the distance.

Temperature control



The heat switch is located underneath the unit. Turn on for heated air and off for cool air.

Troubleshooting

Stopped working -Check power -Check sensor devise -Check sensing distance

Only cold air -Check the temperature switch



Notice:

- 1) This appliance is not intended for use by persons (including children) with reduced physical, sensory or mental capabilities, or lack of experience and knowledge, unless they have been given supervision or instruction concerning use of the appliance by a person responsible for their safety. Children should be supervised to ensure that they do not play with the appliance.
- 2) If the supply cord is damaged, it must be replaced by the manufacturer, its service agent or similarly qualified persons in order to avoid a hazard.