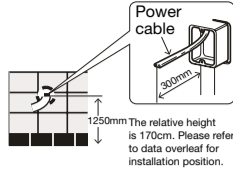


INSTALLATION

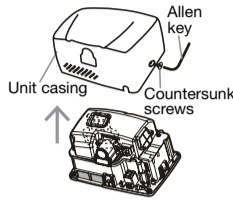
1 Connect the power

- If installing without a junction box install above the right hand side of the dryer at a distance of 20–50cm.
- If installing with direct power connection it will be necessary to embed the junction box into the wall.



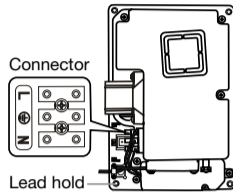
2 Remove unit casing

- Use the allen key supplied to remove the 2 countersunk screws at the sides.
- Lift the casing away from the backplate.

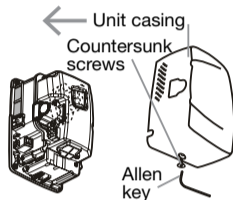


3 Installation

- As shown in illustration, fix the unit to the wall with screws.
- If you are using a junction box, please remove the power supply cable supplied. Pull the wires through the pilot hole, and connect to the terminal blocks as shown.



- The wire length to the terminal block should not exceed 2cm. Connect live to **L** position, neutral to **N** and earth to **⊕**.



4 Replace unit casing

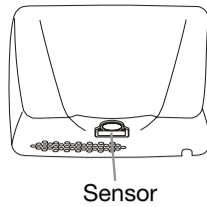
- Push cover back on and tighten the screws on both sides.

Action	Confirm	Check
1 Gently shake the unit	The machine is installed correctly	If the unit rattles, it is not installed correctly
2 Confirm the power and voltage	Only use the rate voltage	The machine will burn out and become dangerous
3 Switch the power on	Power supply is plugged in or installed correctly	Power supply is correct for the unit If the indicator light isn't on check the power supply
4 Hold hands under the dryer	Air will blow out at high speed	Ensure hands are close enough to the sensor to activate

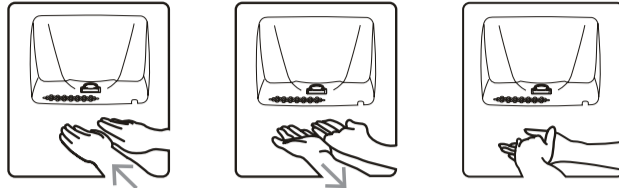
DAILY USE & MAINTENANCE

External maintenance

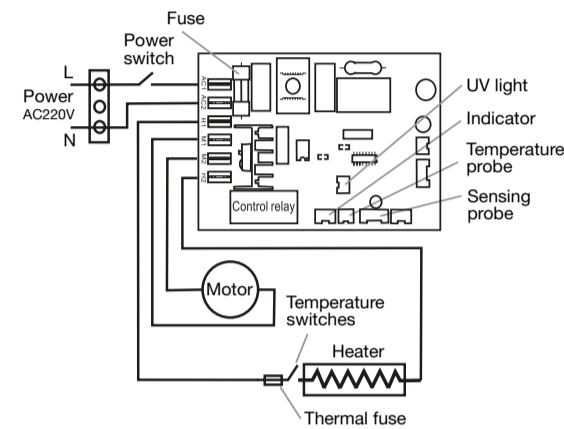
- Polish with a soft dry cloth and avoid harsh or biological cleaning agents as these may damage or discolour the surface of the outer casing.



External maintenance



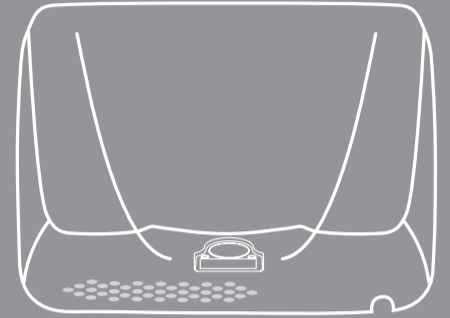
ELECTRICAL DIAGRAM



PACKING LIST

AirBox H	1
22mm self tapping screws	5
5mm expansion pipe	1
Allen key	1
User manual	1

AIRBOX H



User Manual

PRECAUTIONS: INJURY MAY OCCUR IF MISUSED



Prohibited

- Do not open the front panel – electric shock risk
- Do not allow children or adults to pull or hang from the machine
- Place the unit away from direct water supplies
- A suitably rated fused power supply is required



Do not allow unit to get excessively wet

- Ensure the correct power supply is used, if more than +/-10% the unit may malfunction
- The power must be turned off during maintenance
- The drain tank and air filter must be installed for correct operation



Do not dismantle

- Ensure the unit has a reliable earth connection
- Do not install connected to a power supply
- This hand dryer must be installed by a qualified electrician



Follow instructions carefully

- If the power cord is damaged it must be replaced by the manufacturer, its service agent or a qualified person

- A residual current device (RCD) with a rated residual operating current, not exceeding 30mA is recommended
- If power tolerance is above +/- 10% the machine will malfunction
- Please use dedicated spur
- Switch off the power during maintenance
- Excess water tray and filter must be installed
- In case of malfunction, switch off power immediately
- Ensure power is not connected during installation



Environmental Protection

- Do not dispose of electrical waste with household waste, please recycle in appropriate facilities. Check with your Local Authority or retailer for recycling advice.

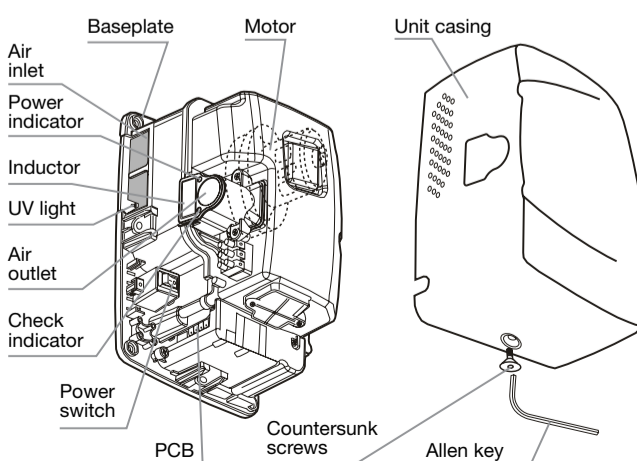
SPECIFICATIONS

Voltage	AC220-240V~	Motor	Brush motor
Phase	Single-phase	Sensing distance	15-20cm
Input	1150-1350W	Protection class	IPX1
Air drying speed	60m/s	Unit dimensions	260 x 180 x 152mm
Heating power	650-750W	Net weight	3.0kg

FEATURES

- No touch, hygienic hand drying
- No need for paper towels, ensures low maintenance
- Solid, stylish stainless steel shell
- Auto-stop 40 second function
- Automatic ecological temperature feature – heats the air in cold weather, but in hot weather it does not

PARTS



PRE-INSTALLATION PRECAUTIONS

DO NOT install in the following places

- Where the temperature can be below -10°C or above 40°C
- Where the unit may come into direct contact with excessive water
- If the unit will be in direct or strong sunlight
- If there is a lot of condensation in the environment
- If there are corrosive, neutral or reductive gases present
- 20m or more below, or 2000m or higher than, sea level

INSTALLATION LOCATION

Installation position

- The following picture shows the recommended position
- Ensure there is at least 400mm clear space below the machine (either to the floor or other objects in the location)
- It is recommended that a minimum distance of 100mm should be left clear to either side of the unit
- Avoid locations where people or doors might damage the unit
- Choose a completely flat wall surface to mount the unit to

