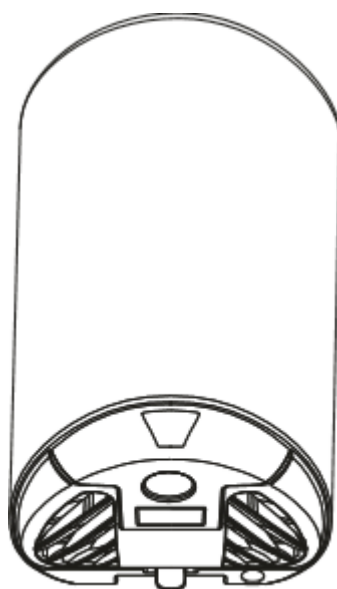
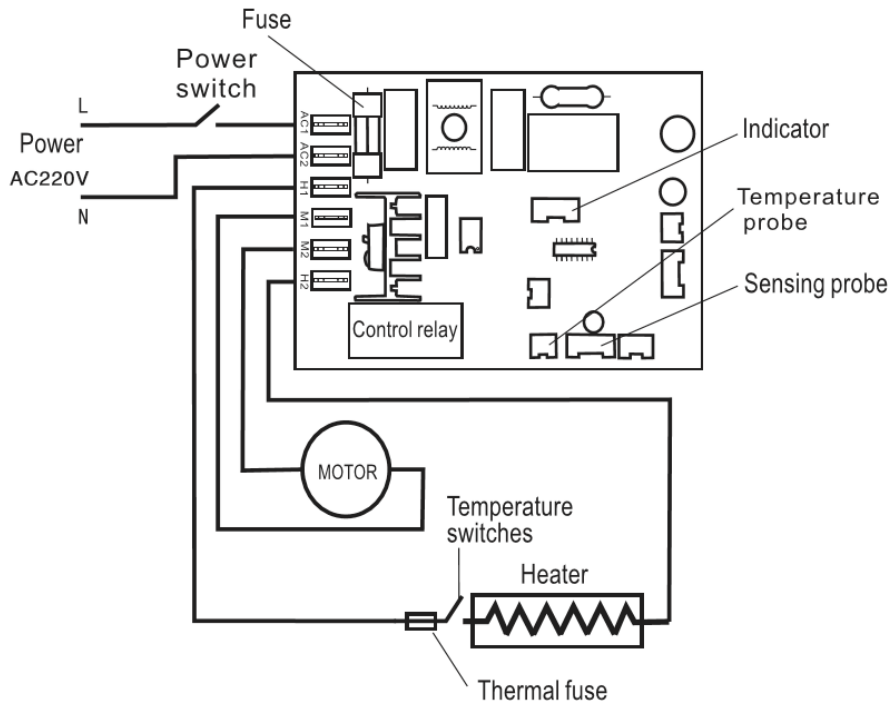


# Antillo Hand Dryer

## User Manual



## Electrical diagram



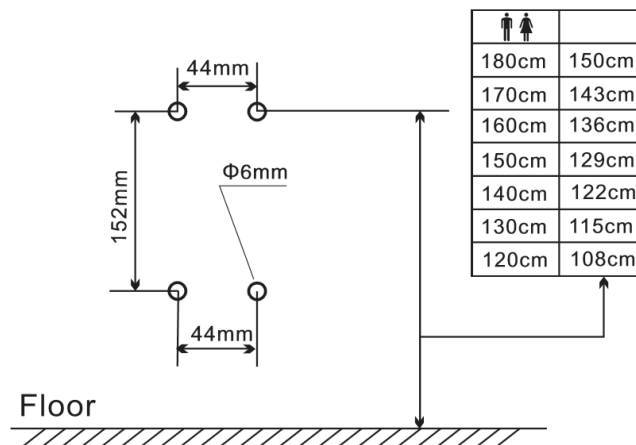
## Precautions before installation and recommended installation location

Do not install in the following places as this may cause the unit to malfunction

- In areas with temperatures below 10°C or above 40°C
- Where the unit is likely to be splashed by water
- In direct sunlight
- In an area where there is condensation
- In an area close to chemicals or gases
- In altitude over the range of 0-2000m

Installation location - the image below shows the recommended mounting height

- A minimum distance of 100mm should be left clear either side of the unit
- Avoid locations where people or doors might damage the unit
- Choose a completely flat wall to mount onto



• Power cord should be 1.0mm<sup>2</sup>-1.5mm<sup>2</sup>

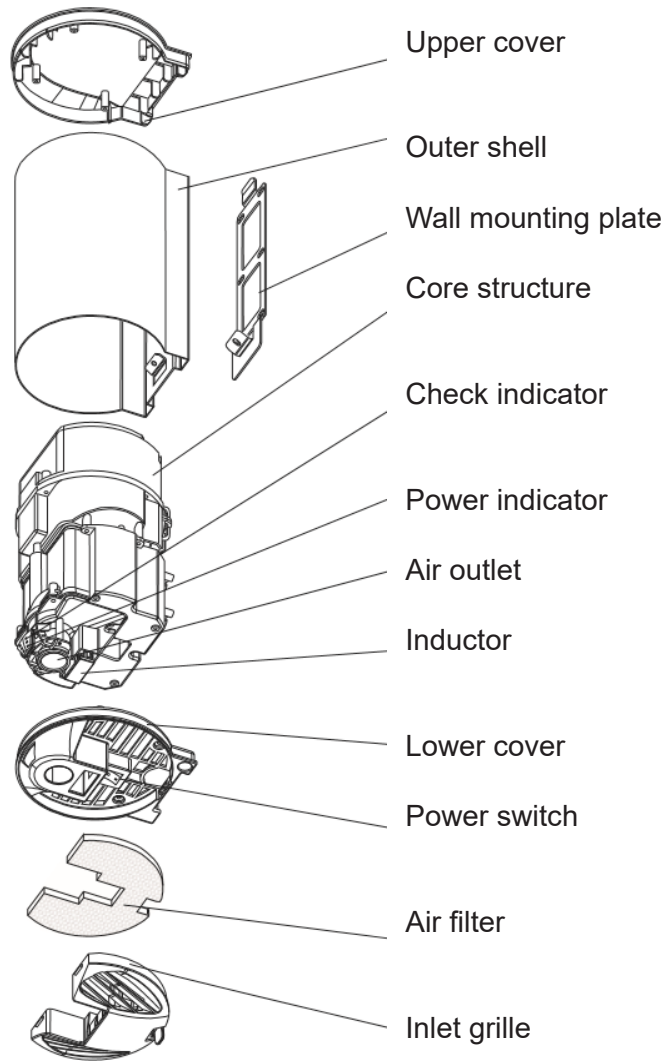


### Environmental Protection

Do not dispose of electrical waste with household waste, please recycle in appropriate facilities.  
Check with your Local Authority or retailer for recycling advice.

## Main Parts

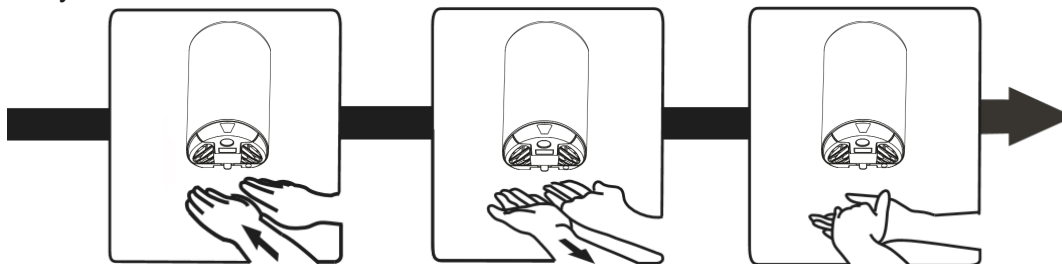
---



## Daily use and maintenance

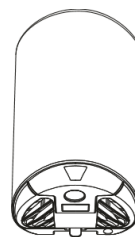
---

Daily use



External Maintenance

- Wipe clean with a soft dry cloth
- Use only neutral detergents
- ❗ • Do not use solvents, acid or alkali cleaners or hard brushes as these can damage the machine surface or cause it to discolour

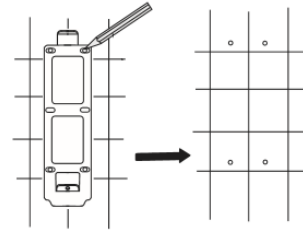


## Packing List

---

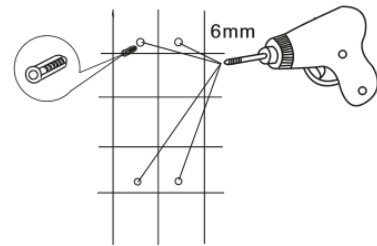
Antillo Hand Dryer.....	x1
Screws.....	x4
5mm raw plugs .....	x4
User manual .....	x1

## Mark the position of the mounting holes on wall



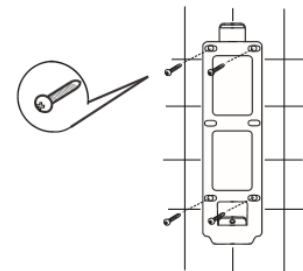
## Drill holes

Drill four 6mm holes and insert raw plugs.



## Fix the mounting plate

Fix the mounting plate with the screws provided.

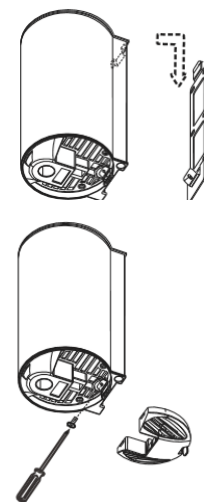


## Install the machine

The mounting plate has a hook that the machine will hang onto. Place the machine above it and allow it to slot onto the hook.

Screw the 'anti-theft' screws into the holes to fix the machine to the mounting plate.

Install the air intake grille into the machine and make sure the grille is locked.



## Specification

Model	Antillo
Dimensions	280x170x170
Net weight	3.4kg
Power	220-240v
Input	1150-1350W
Protection class	IPX1
Heating Power	650-750W
Air Speed	68 m/s



### WARNING

Use this unit properly and follow the safety guidelines carefully.



#### Prohibited

- Do not open the front panel. Electrical shock risk.
- Do not get excessively wet.
- Do not use in a wet environment, where water may get directly into the unit or where condensation may form. The unit is likely to malfunction in damp conditions.



#### Do not get excessively wet

- Do not modify.
- If the power is over +/-10% the unit will malfunction. Using an incorrect power supply will invalidate warranty.
- Power must be disconnected whilst maintenance is being carried out.



#### Do not use in the bath or shower

#### ⚠ The machine must have an earth connection

#### ⚠ Attention when installing

- Do not install when the machine is connected to the power supply.
- This appliance is not intended for use by persons (including children) with reduced physical, sensory or mental capabilities, unless they are supervised and instructed how to use the appliance by the person responsible for their safety.
- If the cord is damaged it must be replaced by the manufacturer, its service agent or a similarly qualified person.



#### Warning