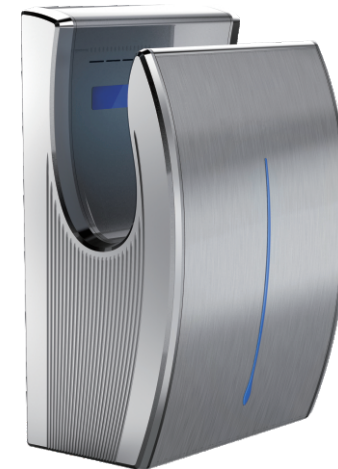




Product 1220

Double Jet Hand Dryer

Installation Manual



- Pls ask the professionals to install.
- Pls read the manual before using and installation to make sure safety and correct when using and installation.

Content

Important Safety Instructions.....	1
Features.....	2
Product Diagram & Water Tank Maintenance.....	3
Exploded View.....	4
Installation & Maintenance.....	5
Function & Specification.....	6
Troubleshooting.....	7
Electrical Schematic.....	8

WARNING If use it incorrectly, it may cause serious accidents.

- Do not remove the front board because of the risk of electric shock.

Forbidden
- Do not use in wet or damp areas, especially bathrooms or shower rooms. There is a significant risk of electric shock.

Forbid to Use in Bathroom & Showerroom
- Do not splash water on the appliance. Cut off the power when maintaining, or it may cause electric shock.

No Watering
- Do not try to unassemble or modify the unit. Or it may cause fire, electric shock or other accidents.

No Unassemble
- Power Supply: AC 220V /50Hz
 - If used the unit is used outside the recommended power supply there is a risk of fire, electric shock and malfunction.
 - The unit must be installed to its own fused spur, if the unit is installed with other units on the same power source it may cause the unit to over heat and catch fire.
 - Cut off the power supply before performing any maintenance on the unit. Or it may cause electric shock.

Follow the Instruction malfunction
- Ensure the unit is grounded or earthed. Failure to provide a suitable earth can result in electric shock.
 - Ensure the hand dryer is installed by a certified electrician. It may cause electric shock & fire when wiring incorrectly.
 - Ensure the unit is installed to a suitable circuit breaker. Or it may cause electric shock.

Grounded

⚠ WARNING If use it incorrectly, it may cause serious accidents.



Forbidden

- Child is forbidden to hang to the machine. Or it may fall down.



Follow The Instruction

- Pls make sure to load the water tank & filter before using this machine. If the water get inside, it may cause electric shock or leakage .
- Pls wear gloves when maintaining. Or it may cause injury .
- Pls cut off power supply to protect from accident when the machine can't take action or other malfunction. Pls also turn off leakage circuit breaker and ask our dealers to ckeck & maintain it. Or it may cause fire by electric shock, electric leakage & short circuit . Pls don't use in the following places.
 - Temp. below -10°C or over 40°C .
 - Drippy Places.
 - Places under sunbeam or intense light directly. (Or it may cause wrong action.)
 - Places w/ Dew

Notes for Installation

Don't install when connecting to the power supply. If the power cord is damaged, replace it by professionals to avoid danger .

- Pls choose places strong enough and install the machine by professionals. Or the dryer may fall down and cause injury.
- Wear gloves when installing. Or it may cause injury.

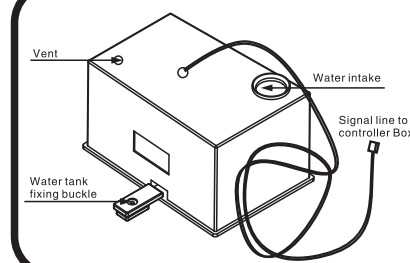
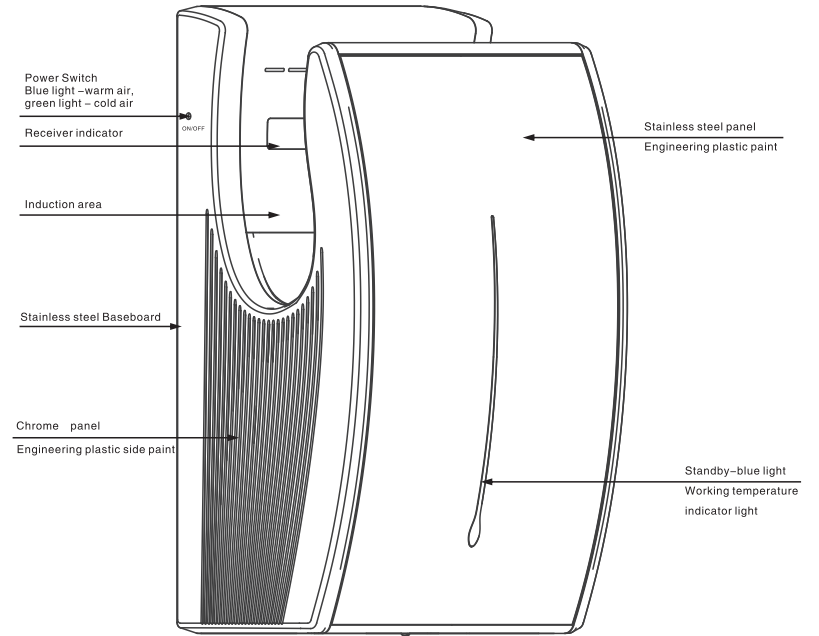
Features

- It's Touchless hand dryer ,which is very hygiene.
- Dry hands quickly with hi-speed airflow
- W/plank protecting timer, it can be safety used.
- No need to deal with rubbish and use towel.
- No pollution as using anti-bacterial material.

Plank Protection Timer

The machine will stop running after using continous for 20sec to protect it from plank. Pls draw back your hand dryer and put it into again to let it return to normal situation.

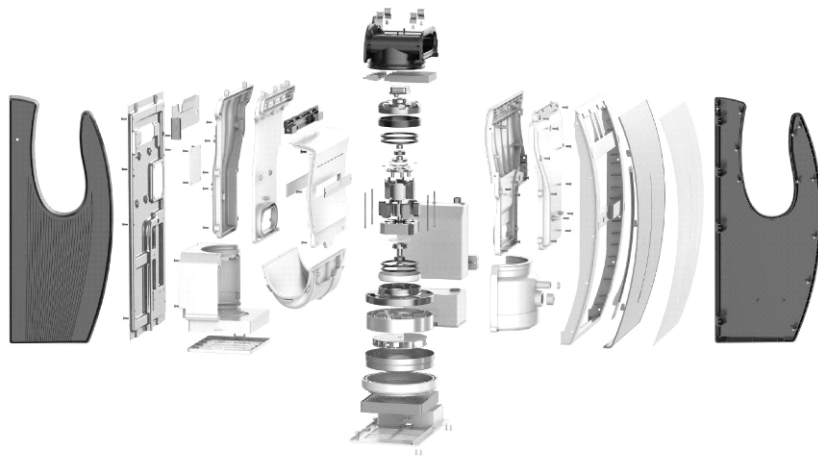
Interior Mini jet hand dryer



Water tank maintenance

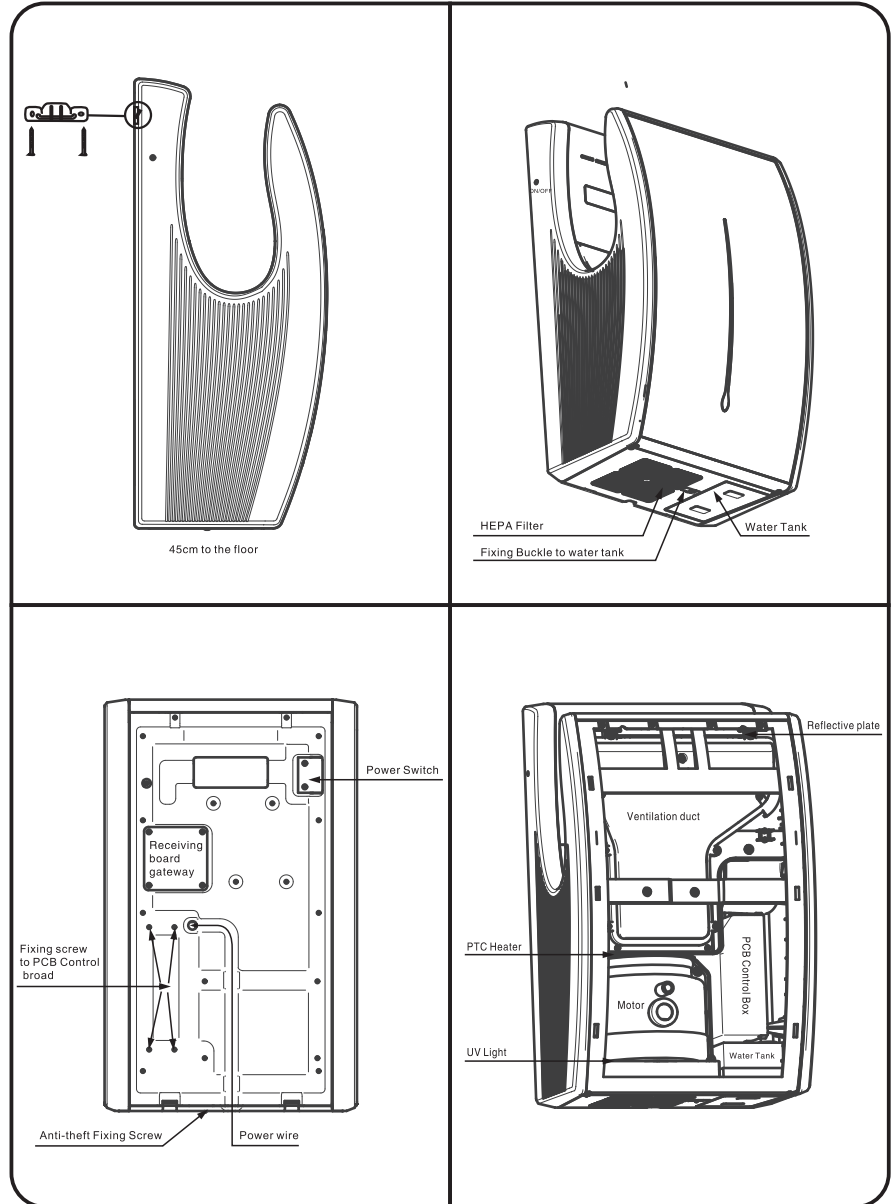
1. Open the water tank fixing buckle, the water tank will fall off automatically.
2. Cut off the signal line to the controller
3. Pull out the water tank to clean up.

Exploded view Mini jet hand dryer



Accessories

- Plastic Expansion Tube.....2Pcs
Fixing Bolt for Installing Board
- (5*35 Self-tapping Bolt).....2Pcs
- Installing Hanging Slides.....1Pc



Function

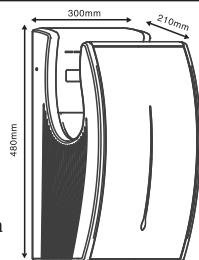
Equipped with Digital Brushless motor ,High efficiency, Low fault.

Energy Conservation: Energy saving 90% against traditional hand dryer ,standby power only 0.5W

Intelligent :Equipped with intelligent switch ,one button chip control systems-choose ON&OFF,Cold/Warm air,the voltage only 12V.

Hygienic:Equipped with HEPA Filter and Air Filter ,reduce the bacteria from air.

Security: Self-developed PCB which equipped with voltage Isolater ensuring safety,Overheat,Overload,Over current Protection



The machine will run automatically When put you hands in induction area, drying you hands within 7 seconds.

Voltage	Power	Air speed	Waterproof	Motor	Heat element	Drying time	Weight
AC110v-240v	750w+900w	106m/s	IPX4	Brushless motor	PTC	7-10S	10kg
50Hz-60Hz	1000+900w	100m/s		Brush motor			
Product size :488*300*210mm			Packing size: 585*390*300mm(1pcs) 585*390*585mm (2pcs)				

Structure & Materials

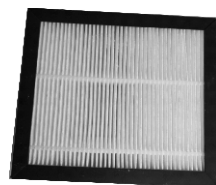
ABS Cover & Stainless steel plate

Plastic: ABS PC Material

Sealing rubber ;Silicone rubber

Stainless steel bracket/Mounting bracket

Filter: HEPA Filte



High grade HEPA Filter

If there is any problem, pls check & solve according to the below form.

Situation	Checking	Solution
No wind when put in your hands.	<ul style="list-style-type: none"> Is the indicator lighted on? Is the electric supply cut off? Did you put your hand deep enough? 	<ul style="list-style-type: none"> Turn on leakage circuit breaker. Turn on power switch. Put your hands deep enough.
The dryer can't be stopped & flash the light.	Is any impurity on the sensor? Or is it dirty?	<ul style="list-style-type: none"> Turn off the power. Clean it then restart.
No hot wind.	Is the sensor of built-in heater dirty? Or the fuse damaged?	<ul style="list-style-type: none"> Heater Switch: Green Light (OFF) & Blue Light (ON). Turn off the dryer. Open the front board & the cover of junction box. Check the fuse beside the terminal.
Indicator of Type A is flashing.	Draining tank is full.	<ul style="list-style-type: none"> Disassemble the air filter & the fix screw of draining tank. Then pull out & clean the tank.

If all the above steps can't solve the problem, pls cut off the power and leakage breaker. Then contact with us for solution.

Running Test

	Step	What to Check	Result
1	Check the power supply.	Is it AC220V in single phase?	
2	Turn on leakage breaker.		
3	Turn on Power Switch.	Is power indicator lighted on?	
4	Insert your hands.	Is there any air blowing out?	
5		Is it installing firmly? Is there any vibration or abnormal noise?	

- Pls don't insert your hands when power on.
- Pls turn off the dryer when the check light flashing. Wait until all the indicator is turn off (Around 40sec). Then turn on the power switch.

Electric Schematic

Electric Schematic of Hand Dryer

