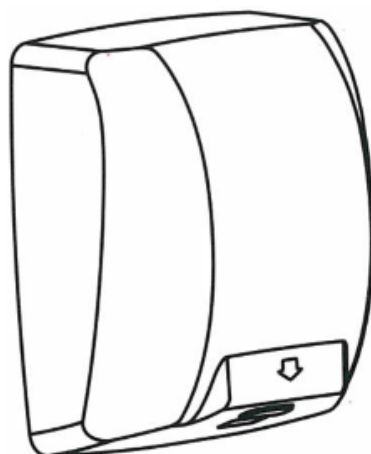


Armadillo Hand Dryer

User Manual

armadillo 



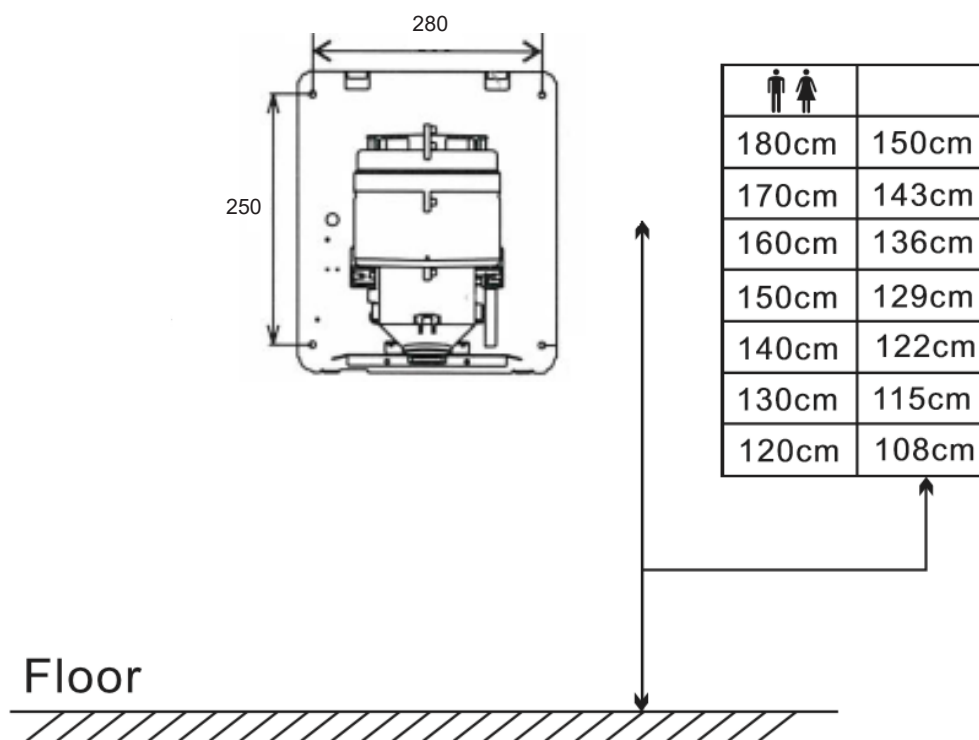
Precautions before installation and recommended installation location

Do not install in the following places as this may cause the unit to malfunction

- In areas with temperatures below 10°C or above 40°C
- Where the unit is likely to be splashed by water
- In direct sunlight
- In an area where there is condensation
- In an area close to chemicals or gases
- In altitude over the range of 0-2000m

Installation location - the image below shows the recommended mounting height

- A minimum distance of 100mm should be left clear either side of the unit
- Avoid locations where people or doors might damage the unit
- Choose a completely flat wall to mount onto



Environmental Protection

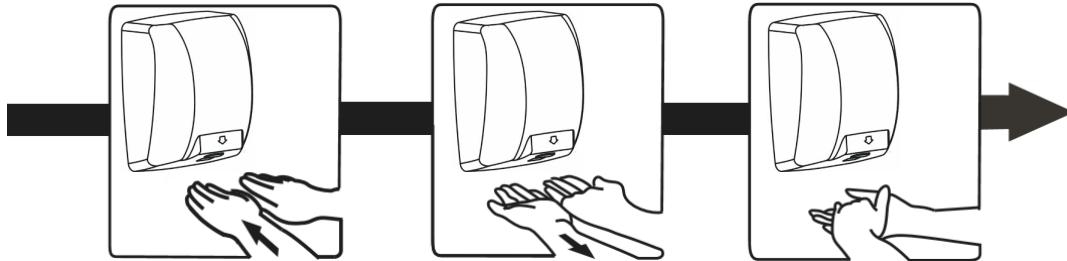
Do not dispose of electrical waste with household waste, please recycle in appropriate facilities.
Check with your Local Authority or retailer for recycling advice.

Specification

Model	Armadillo
Dimensions	325x278x171
Power	220-240v
Input	1600W
Protection class	IPX1
Heating Power	600W
Air Speed	80 m/s

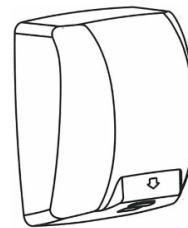
Daily use and maintenance

Daily use



External Maintenance

- Wipe clean with a soft dry cloth
- Use only neutral detergents
- ❗ Do not use solvents, acid or alkali cleaners or hard brushes as these can damage the machine surface or cause it to discolour

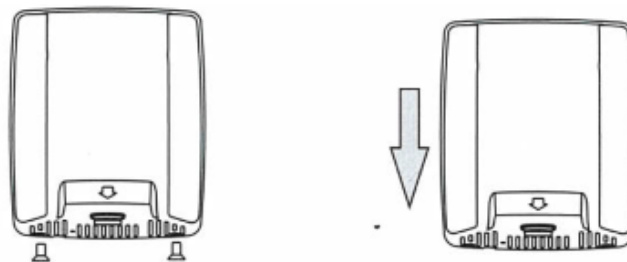


Packing List

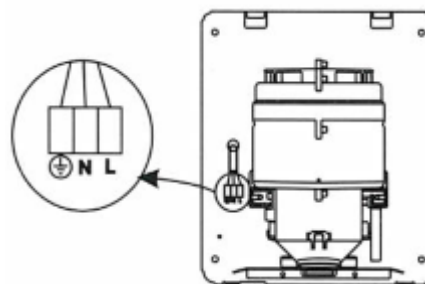
Armadillo Hand Dryer.....	x1
Screws.....	x4
Allen Key.....	x1
5mm raw plugs	x4
User manual	x1

Installation instructions

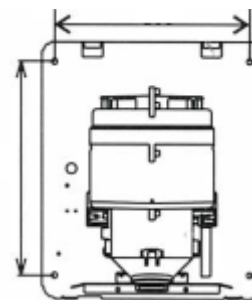
Remove the two screws on the bottom of the panel with the allen key, remove the outer shell.



Pass the wire through the hole in the base and connect with a flathead screw driver. As illustrated. Fix the plug cable to the back of the backplate by the cable clamp



Drill four 7mm holes in the wall to a depth of 40mm. Insert the raw plugs into the holes and secure the unit on the wall with the screws.



The back plate has a hook that the machine cover will hang onto. Place the machine cover above it and allow it to slot onto the hook.



Insert the screws into the holes to secure the unit.



WARNING

Use this unit properly and follow the safety guidelines carefully.



Prohibited

- Do not open the front panel. Electrical shock risk.
- Do not get excessively wet.
- Do not use in a wet environment, where water may get directly into the unit or where condensation may form. The unit is likely to malfunction in damp conditions.



Do not get excessively wet

- Do not modify.
- If the power is over +/-10% the unit will malfunction. Using an incorrect power supply will invalidate warranty.
- Power must be disconnected whilst maintenance is being carried out.



Do not use in the bath or shower

- The air filter must be installed.

⚠ The machine must have an earth connection

⚠ Attention when installing

- Do not install when the machine is connected to the power supply.
- This appliance is not intended for use by persons (including children) with reduced physical, sensory or mental capabilities, unless they are supervised and instructed how to use the appliance by the person responsible for their safety.
- If the cord is damaged it must be replaced by the manufacturer, its service agent or a similarly qualified person.



Warning